

Speed 0.5 - 25Hz
10mm/mV
10mm/mV
10mm/mV
10mm/mV
10mm/mV
10mm/mV
10mm/mV
10mm/mV
10mm/mV
10mm/mV
10mm/mV

Sheela Rosh & Sheela Rosh
10/11/12
S.S.S.

HR : 82
R-R : 727
P-R : 148
QRS : 94
QT/QTc : 346/405
P/QRS/T : 78/27/48
RV5/SV1 : 1.190 0.460 mV
RV5-SV1 : 1.650

Normal Rhythm
T Abnormal (Flat T)
MI Left

Unconfirmed

MD P. G. D. C. C.
Dr. Prithvi Vaidya
Associate Consultant Cardiology
Reg. No. G-50510
report verified by:



Heart & General Clinic

iCure Heart & Diet Clinic, 402, Epsilon tower, opp Pasha bhai park, Race course, Vadodara

:: PERSONAL HEALTH REPORT ::

NAME <u>Shaileshbhai Dames</u>	DATE <u>10/09/22</u>
	SR. NO. SEX. <u>Male</u> AGE <u>52 years.</u> HEIGHT <u>162cm.</u> WEIGHT <u>67kg.</u>

HISTORY

Present History : No
 Past Illness History : Diabetes/Hypertension/Tuberculosis/Asthma/Epilepsy No
 Past Occupational History : No
 Family History : No
 Personal History : No
 Addiction : Tobacco/Gutkha/Smoking/Alcohol No

GENERAL EXAMINATION

T.P.R. : 78/min B.P. : 120/80 mmHg mm Hg :
 Pallor/Icterus/Cyanosis/Varicosity/Lymph Nodes/Thyroid/Oedema/NVE/Other :

SYSTEMIC EXAMINATION

R.S. : Normal
 C.V.S. : Normal
 C.N.S. : Normal
 A.S. : Normal
 Musculo-skelet System : Normal

		ACUITY OF VISION		RT EYE	LT EYE
		Without Glass	DISTANT	6/ 6	6/ 6
E.N.T. Ex.	<u>Normal</u>				
Dental Ex.	<u>Normal</u>		Near	6/ 6	6/ 6
Skin Ex.	<u>Normal</u>	With Glass	DISTANT	6/ -	6/ -
Psychic Ex.	<u>Normal</u>		Near	6/ -	6/ -
COLOUR BLINDNESS <u>NAD</u>					

REMARK

ADVICE

The Worker is FIT UNFIT for the assigned job.



Dr. Krish P. Vaidya
 MD, P.D.C.C.
 Associate Consultant, Cardiology
 Reg. No. G-50510
 MD G-50510, CH



भारत सरकार

GOVERNMENT OF INDIA



राधा शैलेशभाई

Rana Shaileshbhai

जन्म दिनांक/DOB: 29/12/1969

पुरुष/ MALE

4109 3077 0938



भारी अधिकार, भारी जोगण

Signature


Heart & General Clinic

iCure Heart& Diet Clinic, 402, Epsil on tower, opp Pasha bhai park, Race course, Vadodara

NAME : Mr Shailesh Rana	AGE: 52Y/M	DATE : 10/09/2022
-------------------------	------------	-------------------

ULTRASOUND WHOLE ABDOMEN
(Screening Only)

Liver is normal in size and shows normal parenchymal reflectivity. No focal lesion is seen. Hepatic veins appear normal. There is no evidence of any dilated intra hepatic billiary radicals.

Portal Vein appears normal in diameter. **Common Bile Duct** is of normal diameter.

Gallbladder is distended with normal wall thickness. There is no evidence of gallstones. No evidence of peri-cholecystic fluid or probe tenderness.

Pancreas is normal in size and shows homogenous reflectivity. There is no evidence of any calcification or ductal dilatation.

Spleen is normal size and shows a homogenous echotexture. There is no evidence of any focal lesion.

Both Kidneys are normal in position and size. They show normal cortical reflectivity and cortico-medullary distinction. Right kidney measures 95x42mm. Left kidney measures 99x38mm. There is no evidence of renal calculi, hydronephrosis or mass seen.

Bladder is well distended and shows normal wall thickness. No evidence of intra-luminal mass or calculi.

Prostate gland is normal in size. It has smooth outlines and normal reflectivity.

There is no evidence of ascites.

No evidence of any gross bowel mass seen.

No evidence of any aorto-caval or mesenteric root lymphadenopathy.

Appendix cannot be imaged. No mass or collection in right iliac fossa.

CONCLUSION: No sonographic abnormality is seen.




DR. MEHUL PRAJAPATI
CONSULTANT RADIOLOGIST

Dr. Mehul Prajapati
MD, PGDCC
Associate Consultant-Cardiology
Reg. No. 10000

2D Echocardiography & Color Doppler Report

iCure Hear care, 402, Epsilon tower, opp Pasha bhai park, Race course, Vadodara

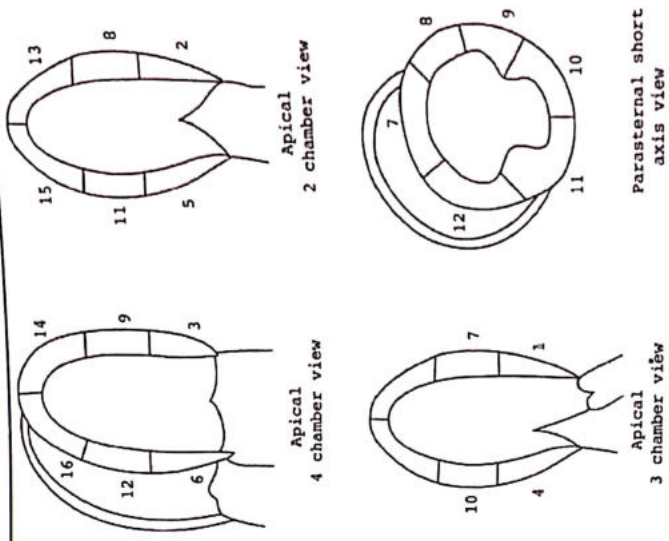
Patient Name: Mr Shailesh Rana **Date:** 10 / 09 / 2022
Age, Gender: male - 52 Years

M. Mode Study:

LA	32	IVS	09	PWD	09
AO	28	LVDS	27	LVDD	41

Doppler Study:

Mitral Valve	E: 0.66 A: 0.45
Aortic Valve	Normal
Tricuspid Valve	Normal
Pulmonary Valve	Normal



Conclusion:

- Normal LV Systolic function
- LVEF: 58 % ,No RWMA
- Cardiac Chambers: Normal
- Diastolic function : Normal
- TR: Trivial PAH: No , RVSP:20 mmhg
- No Ms , No MR
- No AR , No AS
- ASD/VSD/PDA/Co-A : No
- No Clots or vegetations found
- IVC: Normal

Note:

Normal 2D echo report does not rule out cardiac diseases
 this report shall not be used for Medico legal purposes,
 Clinical Correlation advisable.



Dr. Krish P. Vaidya
 M.D. (D.C.C.)
 Assistant Consultant-Cardiology
 Reg. No. 510

Dr. Krish P Vaidya
 Consultant Cardiologist, Diabetologist
 & General Physician

Heart & General Clinic

iCure Heart& Diet Clinic, 402, Epsil on tower, opp Pasha bhai park, Race course, Vadodara



Sunny K. Machhi
+91 87585 30074
+91 83205 61551
sunnydigitalxray@yahoo.com

NAME	SHAILESHBHAI RANA	AGE/SEX	52/M
REF BY	ICURE HEART & DIET CLINIC	DATE	10/09/22

X-RAY CHEST PA VIEW (PORTABLE)

FINDING

BOTH LUNGS FIELDS ARE NORMAL .

REMAINING LUNG FIELDS ARE NORMAL.

BOTH COSTOPHRENIC RECESS ARE CLEAR.

CARDIAC SIZE WITHIN NORMAL LIMITS.

MEDIASTINUM AND BONY THORACIC CAGE REVEAL NO ABNORMALITY.

IMPRESSION :NORMAL LUNGS HEART AND MEDIASTUINUM..

DR.HIMANI VIRAPARA
Regn. No: G.28771
M.D. [Radiodiagnosis]
(CONSULTANT RADIOLOGIST)





BARODA DIAGNOSTIC LABORATORY

302, Trivya Complex, Natubhai Circle, Race Course, Vatodara. ☎ +91 8866009950 / 7405009950 📧 bd195950@gmail.com



* 2 0 1 0 8 *

Patient's name : Shaileshbhai Rana
Age/Sex : 52 Years/Male
Referred by : C/o. I Cure Heart & Diet Clinic
Sample From : LAB
UHID :

Reg. ID : icure-3-19
Accession : 20108
Reg. Date : 10/09/2022
Collection Time : 10/09/2022 13:59

COMPLETE BLOOD COUNT

Sample Type: EDTA

Test Name	Result	Units	Biological Reference Interval
-----------	--------	-------	-------------------------------

Blood Counts

Haemoglobin :	15.4	Gms%	13.5 - 18.0
Total R.B.C. :	4.74	mill/c.mm	4.7 - 6.0
Total W. B. C. :	6660	/cu mm	4000 - 10500
Platelet Count :	307000	/cu.mm	1,50,000 - 4,50,000

Differential Count

Neutrophils :	58	%	40 - 70
Lymphocytes :	37	%	20 - 40
Eosinophils :	01	%	1 - 4
Monocytes :	04	%	2 - 6
Basophils :	00	%	0 - 01

Blood Indices

P. C. V :	<u>41.7</u>	%	42 - 52
M. C. V. :	88.0	fl	78 - 100
M.C.H :	<u>32.5</u>	pg	27 - 31
M. C. H. C :	<u>36.9</u>	%	32 - 36
R.D.W :	13.4	%	11.5 - 14.0

E.S.R.(Westergren Method)

After one hour : 14 mm 1 - 7



Page 1 of 8

Signature



BARODA DIAGNOSTIC LABORATORY

302, Trivia Complex, Natubhai Circle, Race Course, Vadodara. ☎ +91 8866009950 / 7405009950 ✉ bdi95950@gmail.com



Patient's name	: Shaileshbhai Rana	Reg. ID	: icure-3-19
Age/Sex	: 52 Years/Male	Accession	: 20108
Referred by	: C/o. I Cure Heart & Diet Clinic	Reg. Date	: 10/09/2022
Sample From	: LAB	Collection Time	: 10/09/2022 13:59
UHID	:		

HIV HBsAg

<u>Test</u>	<u>Result</u>	<u>Normal Range</u>
Test for HIV 1 Antibodies :	Non reactive	Non reactive
Test for HIV 2 Antibodies :	Non reactive	Non reactive
HBsAg : (Hepatitis B surface Antigen)	Negative	Negative

Note: The above tests are done as a screening procedure.
: If clinically suspected, confirmation by ELISA is recommended.
: Rarely false negativity/positivity may occur.



LAB
LAB USE ONLY (Entered by :OP1 Enter Date/Time:10/09/2022 17:13:00) (Verify by :OP1 Verify Date/Time:10/09/2022 17:13:00)



BARODA DIAGNOSTIC LABORATORY

302, Trivia Complex, Natubhai Circle, Race Course, Vadodara. ☎ +91 8866009950 / 7405009950 ✉ bd195950@gmail.com



Patient's name : Shaileshbhai Rana
Age/Sex : 52 Years/Male
Referred by : C/o. I Cure Heart & Diet Clinic
Sample From : LAB
UHID :
Reg. ID : icure-3-19
Accession : 20108
Reg. Date : 10/09/2022
Collection Time : 10/09/2022 13:59

THYROID FUNCTION

Sample Type: Serum

Test Name	Result	Units	Biological Reference Interval
TOTAL T3 :	1.547	ng/ml	0.84 - 2.0
TOTAL T4 :	<u>5.022</u>	ug/dl	5.1 - 14.0
TSH :	2.353	mIU/L	0.25 - 5.0

Method : CLIA

H. Praplan

LAB
LAB USE ONLY (Entered by :OP1 Enter Date/Time:10/09/2022 17:17:00) (Verify by :OP1 Verify Date/Time:10/09/2022 17:17:00)



BARODA DIAGNOSTIC LABORATORY

302, Trivya Complex, Natubhai Circle, Race Course, Vadodara. ☎ +91 8866009950 / 7405009950 📧 bdl95950@gmail.com



★ 2 0 1 0 8 ★

Patient's name : Shaileshbhai Rana
Age/Sex : 52 Years/Male
Referred by : C/o. I Cure Heart & Diet Clinic
Sample From : LAB
UHID :

Reg. ID : icure-3-19
Accession : 20108
Reg. Date : 10/09/2022
Collection Time : 10/09/2022 13:59

PSA

Sample Type: Serum

Test Name	Result	Units	Biological Reference Interval
-----------	--------	-------	-------------------------------

PSA :	0.72	ng/ml	0 - 4
-------	------	-------	-------

Interpretation guide :

: PSA is a Glycoprotein found in prostate acinar cells,
Ref. range <4.5 ng/ml. increased with age < 6.5 ng/ml, if more than
70yrs.

* Use:

- Monitor response to therapy of ca. prostate.
- PSA of >100 ng/ml predicts bone metastasis with 73% positive predictive value.

* Increased in ->

- Prostate cancer.
- Prostatitis.
- Prostatic ischemia (Sometime too high level).
- Prostate massage.
- Needle biopsy/TUR.
- Indwelling catheter.
- Vigorous bicycle exercise.
- Radiation therapy.

Method : Electrochemiluminescence Immunoassay "ECLIA"



Page 4 of 8

LAB USE ONLY (Entered by :OP1 Enter Date/Time:10/09/2022 18:54:00) (Verify by :OP1 Verify Date/Time:10/09/2022 18:54:00)



BARODA DIAGNOSTIC LABORATORY

302, Trivia Complex, Natubhai Circle, Race Course, Vadodara. ☎ +91 8866009950 / 7405009950 ✉ bdl95950@gmail.com



Patient's name : Shaileshbhai Rana
Age/Sex : 52 Years/Male
Referred by : C/o. I Cure Heart & Diet Clinic
Sample From : LAB
UHID :
Reg. ID : icure-3-19
Accession : 20108
Reg. Date : 10/09/2022
Collection Time : 10/09/2022 13:59

LIVER FUNCTION TEST

Sample Type: Serum

Test Name	Result	Units	Biological Reference Interval
S.G.P.T (ALT) :	15	U/L	0 - 40
S.G.O.T (AST) :	12	U/L	0 - 37
ALK.PHOSPHATASE :	43	U/L	40 - 130
G.G.T :	49.0	U/L	8 - 78
<u>Bilirubin</u>			
Total :	1.0	mg/dl	0.2 - 1.0
Direct :	0.50	mg/dl	0 - 0.6
Indirect :	0.5	mg/dl	0 - 0.5
<u>Serum Proteins</u>			
Total Protein :	6.96	gms/dl	6.4 - 8.3
Albumin :	3.98	gms/dl	3.8 - 4.4
Globulins :	2.98	gms/dl	2.3 - 3.5
A/G Ratio :	1.34		0.9 - 2.9

Done on Fully automated biochemistry analyser - COBAS C 111

Handwritten signature

Page 5 of 8



BARODA DIAGNOSTIC LABORATORY

302, Trivia Complex, Natubhai Circle, Race Course, Vadodara. ☎ +91 8866009950 / 7405009950 ✉ bdl95950@gmail.com



Patient's name : Shaileshbhai Rana Reg. ID : icure-3-19
Age/Sex : 52 Years/Male Accession : 20108
Referred by : C/o. I Cure Heart & Diet Clinic Reg. Date : 10/09/2022
Sample From : LAB Collection Time : 10/09/2022 13:59
UHID :

LIPID PROFILE

Sample Type: Serum

Test Name	Result	Units	Biological Reference Interval
Cholesterol :	<u>201</u>	mg/dl	0 - 200
Triglyceride :	<u>210</u>	mg/dL	0 - 150
HDL - Cholesterol :	38	mg/dL	35 - 65
LDL - Cholesterol :	121	mg/dL	0 - 130
VLDL - Cholesterol :	<u>42.0</u>	mg/dL	0 - 30
Total Cholesterol/HDL Ratio :	5.29		1 - 6
LDL / HDL Cholesterol Ratio :	3.18		0 - 3.5

Done on Fully automated biochemistry analyser - COBAS C 111



LAB

LAB USE ONLY (Entered by :OP1 Enter Date/Time:10/09/2022 17:14:00) (Verify by :OP1 Verify Date/Time:10/09/2022 17:14:00)



BARODA DIAGNOSTIC LABORATORY

302, Trivia Complex, Natubhai Circle, Race Course, Vadodara. ☎ +91 8866009950 / 7405009950 ✉ bd195950@gmail.com



Patient's name	: Shaileshbhai Rana	Reg. ID	: icure-3-19
Age/Sex	: 52 Years/Male	Accession	: 20108
Referred by	: C/o. I Cure Heart & Diet Clinic	Reg. Date	: 10/09/2022
Sample From	: LAB	Collection Time	: 10/09/2022 13:59
UHID	:		

HbA1C REPORT

Sample Type: EDTA

Test Name	Result	Units	Biological Reference Interval
HbA1C :	5.81	%	Excellent control: 4.2-6.2 Good Control : 6.3-7.2 Fair Control : 7.3-8.2 Poor Control : >8.3
Mean Blood Glucose levels : of last 03months	120.0	mg/dl	

NOTE

*As per the new 2009 update of American Diabetes Association regarding HbA1C & Mean Blood Glucose relationship.

This test is used to monitor diabetic patients compliance with the therapeutic regimen and long term blood glucose control. It's level is proportional to both the average blood glucose concentration and the life span of the red blood cells (RBC) in circulation. HbA1c values are free of day to day glucose fluctuations and are unaffected by exercise or recent food intake.



LAB

LAB USE ONLY (Entered by :OP1 Enter Date/Time:10/09/2022 17:13:00) (Verify by :OP1 Verify Date/Time:10/09/2022 17:13:00)



BARODA DIAGNOSTIC LABORATORY

302, Trivia Complex, Natubhai Circle, Race Course, Vadodara. ☎ +91 8866009950 / 7405009950 ✉ bdl95950@gmail.com



Patient's name : Shaileshbhai Rana
Age/Sex : 52 Years/Male
Referred by : C/o. I Cure Heart & Diet Clinic
Sample From : LAB
UHID :

Reg. ID : icure-3-19
Accession : 20108
Reg. Date : 10/09/2022
Collection Time : 10/09/2022 13:59

RENAL FUNCTION TEST

Test Name	Result	Units	Biological Reference Interval
Urea :	22	mg/dl	10 - 50
Bun (Calculated) :	10.3	mg/dl	0 - 18
Creatinine :	1.05	mg/dl	0.4 - 1.5
Uricacid :	6.01	mg/dl	3.4 - 7.0

Done on Fully automated biochemistry analyser - COBAS C 111



LAB
LAB USE ONLY (Entered by :OP1 Enter Date/Time:10/09/2022 17:13:00) (Verify by :OP1 Verify Date/Time:10/09/2022 17:13:00)



BARODA DIAGNOSTIC LABORATORY

Name : Shaileshbhai Rana
Ref By : iCure Heart and Diet Clinic

Age/Sex : 52 Yrs./Female
Date : 10/09/2022
Report ID. :

BIOCHEMISTRY

<u>Test</u>	<u>Result</u>	<u>Unit</u>	<u>Reference Interval</u>
Fasting (FBS)			
Blood Glucose	117	mg/dl	70-110 mg/dl
Pp2bs (Postprandial blood sugar)	160	mg/dl	80-120 mg/dl

Done by Fully Auto Analyzer MURA, A-1004

END OF REPORT

H. Kriplani



Dr. Nehal Tiwari
(MD)
Consultant Pathologist
(Reg. No. G-54530)

Dr. Priya Kriplani
(MD)
Consultant Pathologist
(Reg. No. G-46004)



BARODA DIAGNOSTIC LABORATORY

Name : SHAILESHBHAI RANA
Ref By : iCure Heart and Diet Clinic

Age/Sex : 52 Yrs./
Date : 10/09/2022
Report ID. :

HAEMOGRAM PROFILE

Blood Group : "O"
Rh Factor : "POSITIVE"
(Anti D.)

(By Fully Automated Cell Counter Sysmex KK - 21, Japan)

END OF REPORT

H. Kriplani



Dr. Nehal Tiwari
(MD)
Consultant Pathologist
(Reg. No. G-54530)

Dr. Priya Kriplani
(MD)
Consultant Pathologist
(Reg. No. G-46004)



BARODA DIAGNOSTIC LABORATORY

Name : SHAILESHBHAI RANA
Ref By : iCure Heart and Diet Clinic

Age/Sex : 52 Yrs./
Date : 10/09/2022
Report ID. :

EXAMINATION OF URINE

Test	Result	Unit
Sample	: Fasting	
Physical Examination		
Quantity	: 20	mL
Color	: PALE YELLOW	
Transparency	: CLEAR	
Specific Gravity	: 1.030	
Reaction	: ACIDIC	
Deposits	: ABSENT	
CHEMICAL EXAMINATION		
Albumin	: NIL	
Sugar	: NIL	
Acetone	: ABSENT	
Bile Salts	: ABSENT	
Bile Pigments	: ABSENT	
Urobilinogen	: NORMAL : < 1.0 mg/dL	
Occult Blood	: ABSENT	
Nitrate	: ABSENT	
MICROSCOPIC EXAMINATION		
Pus Cells	: 0-1 / hpf	
RBC	: NIL	
Epithelial Cells	: NIL	
Crystals	: NIL	
Amorphous Phosphate	: NIL	
Cast	: NIL	

END OF REPORT



H. Kriplani



Dr. Nehal Tiwari
(MD)
Consultant Pathologist
(Reg. No. G-54530)

Dr. Priya Kriplani
(MD)
Consultant Pathologist
(Reg. No. G-46004)